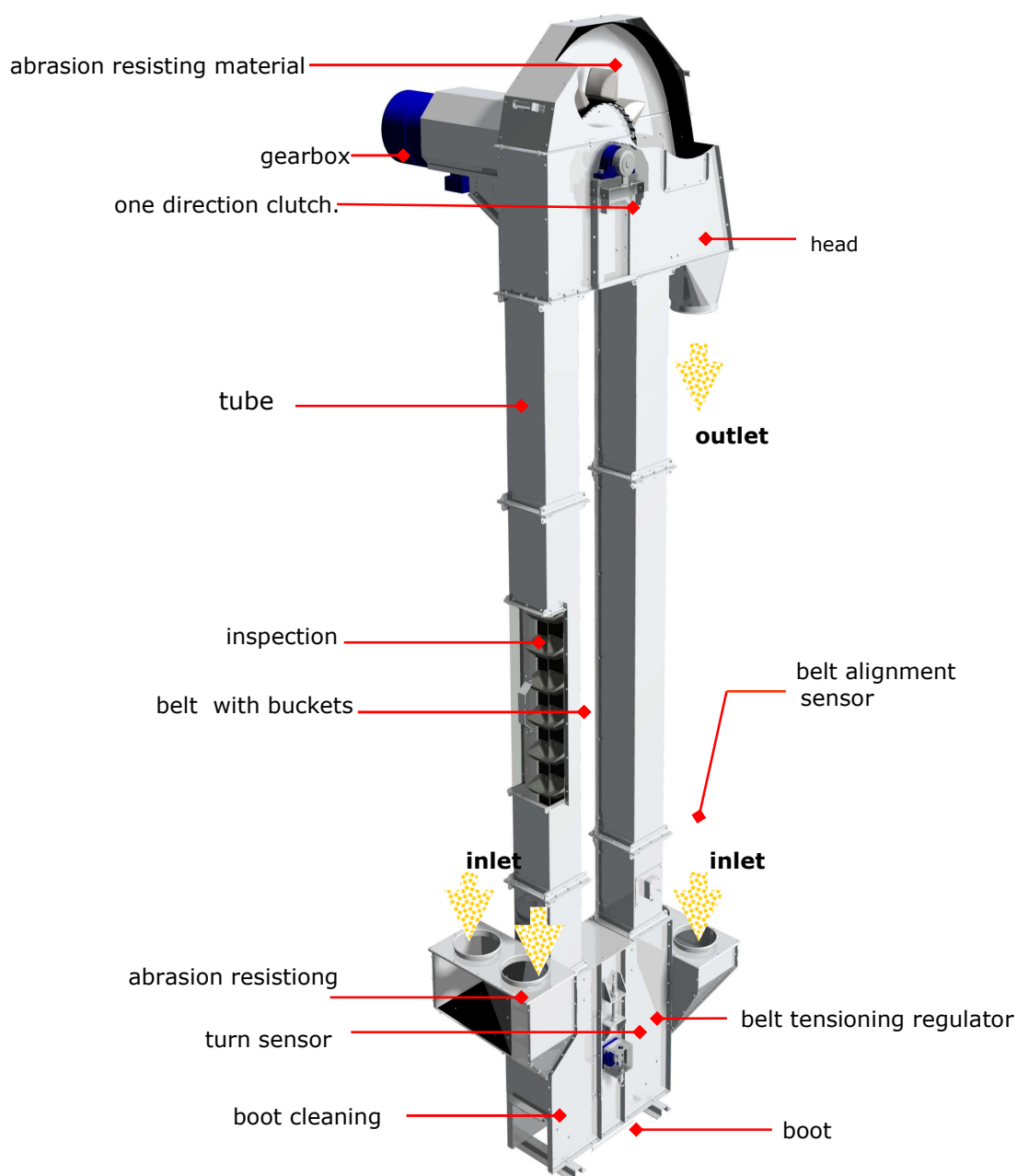


BUCKET ELEVATORS

PPW „ARAJ” LTD is grain silos, dryers, cleaners and transport devices leader supplier in Poland. We have 20 years experience in design and manufacturing. Our computer –controlled machine fleet provides manufacturing productivity ensuring our components are precise and repeatable. With our coherent and flexible logistics , we can efficiently operate our business every day . Our people are high qualified specialists.

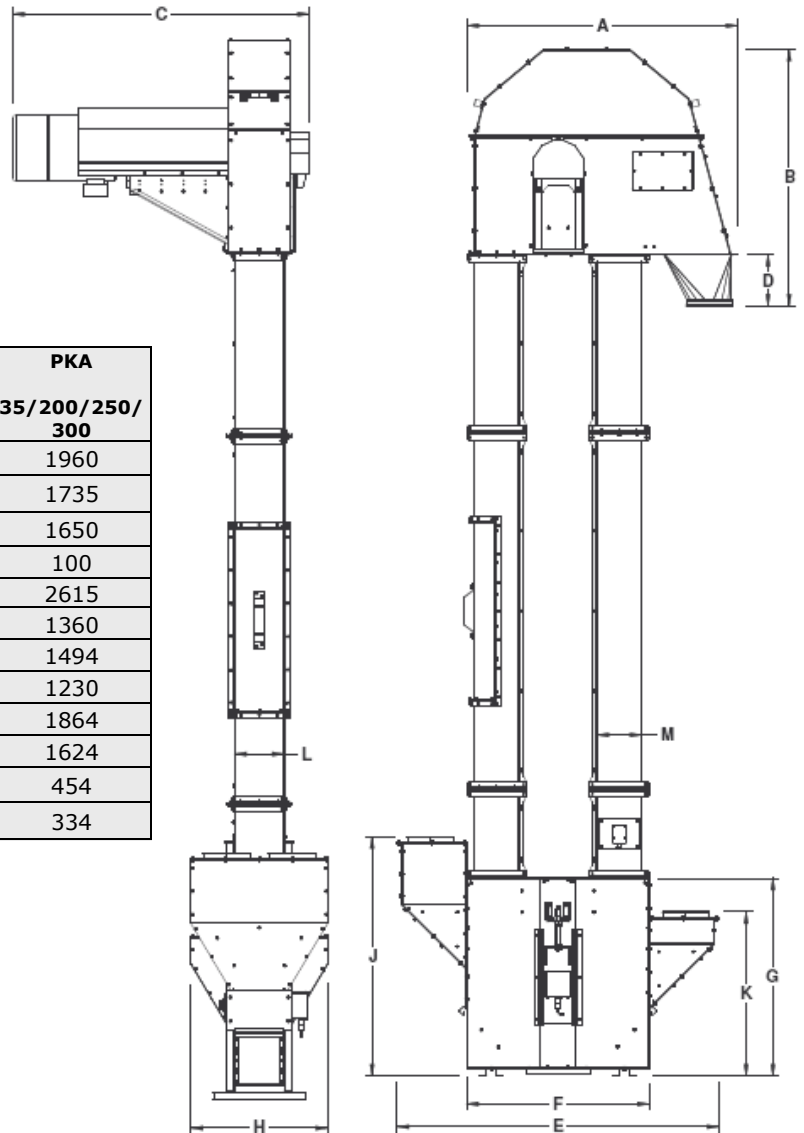
Bucket elevators PKA type are designed for vertical handling of kinds of grain, all kinds of seeds and other bulk materials to relatively high levels. Bucket elevators are durable, silent, safe for grain and self-cleaning. They are used mainly as filling device in silo banks.

Fastness and reliability of the device secures high quality materials: galvanized steel for tubes and buckets, abrasion–resisting inserts, tempered. Gearbox are made by NORD— European leader of it’s branch.



dimensions:

[mm]	PKA 16/10-60	PKA 20/60-100	PKA 25/100-150	PKA 35/200/250/300
A	1222	1512	1624	1960
B	1158	1441	1518	1735
C*	1362	1626	1920	1650
D	210	290	290	100
E	1601	1788	2129	2615
F	826	1020	1081	1360
G	953	1109	1194	1494
H	697	750	895	1230
J	1192	1343	1543	1864
K	852	921	1238	1624
L	213	273	324	454
M	203	251	289	334



capacity for 0,75t/m³

TYPE	capacity	capacity	maximum height	Chain speed	turns frequency	dimension	electric power
	t/h	m ³ /h	m	m/s	rpm	mm	kW
PKA 16/10	10	13,3	35	3,1	145	ø160	1,1-3,0
PKA 16/20	20	26,7	35	3,1	145	ø160	1,1-4,0
PKA 16/30	30	40	35	3,1	145	ø160	1,1-5,5
PKA 16/40	40	53,3	35	3,1	145	ø200	1,1-7,5
PKA 16/60	60	80	35	3,1	145	ø200	1,5-11
PKA 20/60	60	80,0	43	3,1	118	ø200	3,0-15
PKA 20/80	80	106,7	43	3,1	118	ø250	3,0-15
PKA 20/100	100	133,3	43	3,1	118	ø250	4,0-18,5
PKA 25/100	100	133,3	43	3,1	118	ø250	3,0-22
PKA 25/120	120	160	43	3,1	118	ø250	4,0-30
PKA 25/150	150	200	43	3,1	118	ø300	5,5-30
PKA 35/200	200	266,7	45	2,9	87	sq 400	11-45
PKA 35/250	250	333,3	45	2,9	87	sq 400	11-55
PKA 35/300	300	400	45	2,9	87	sq 400	11-75